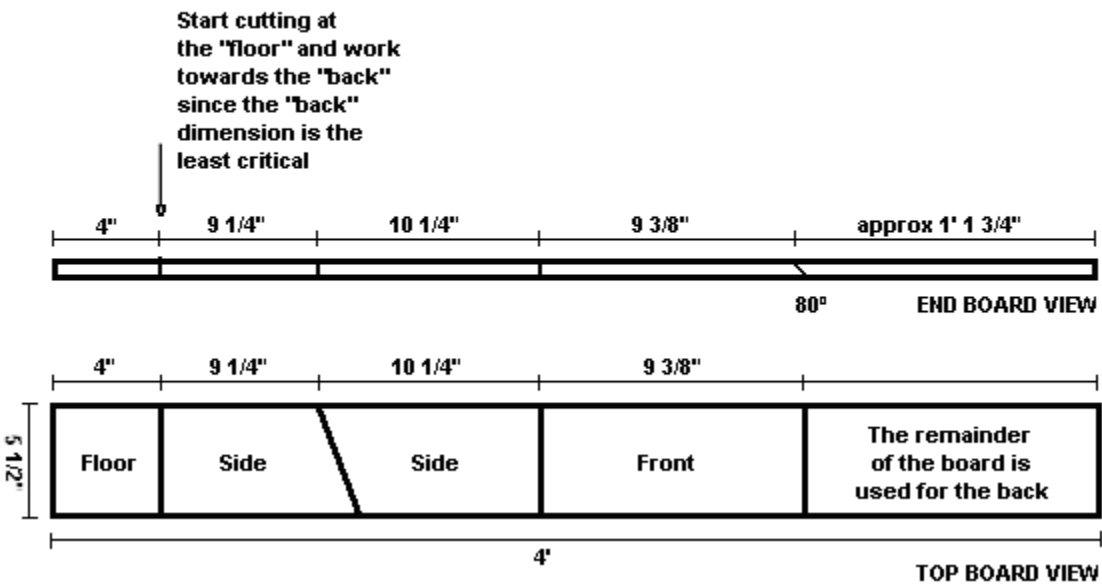


Blue Bird Box

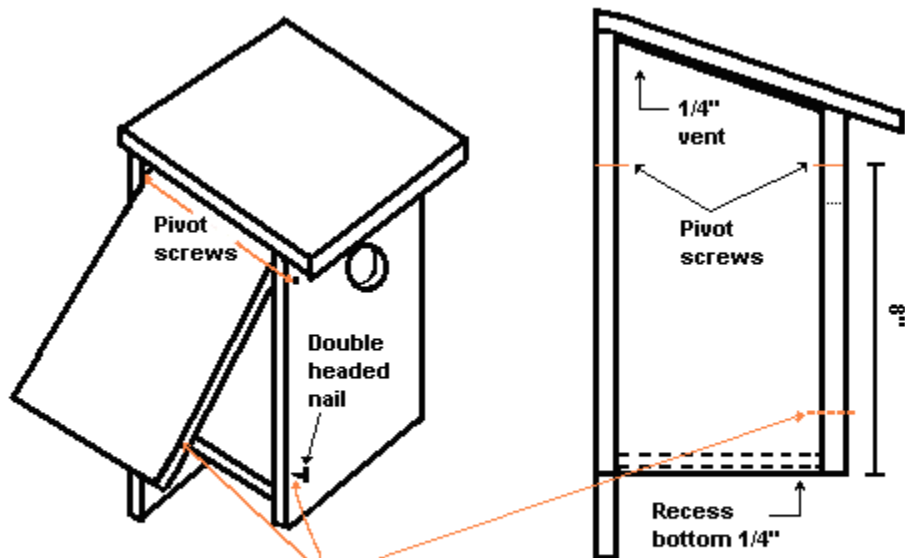
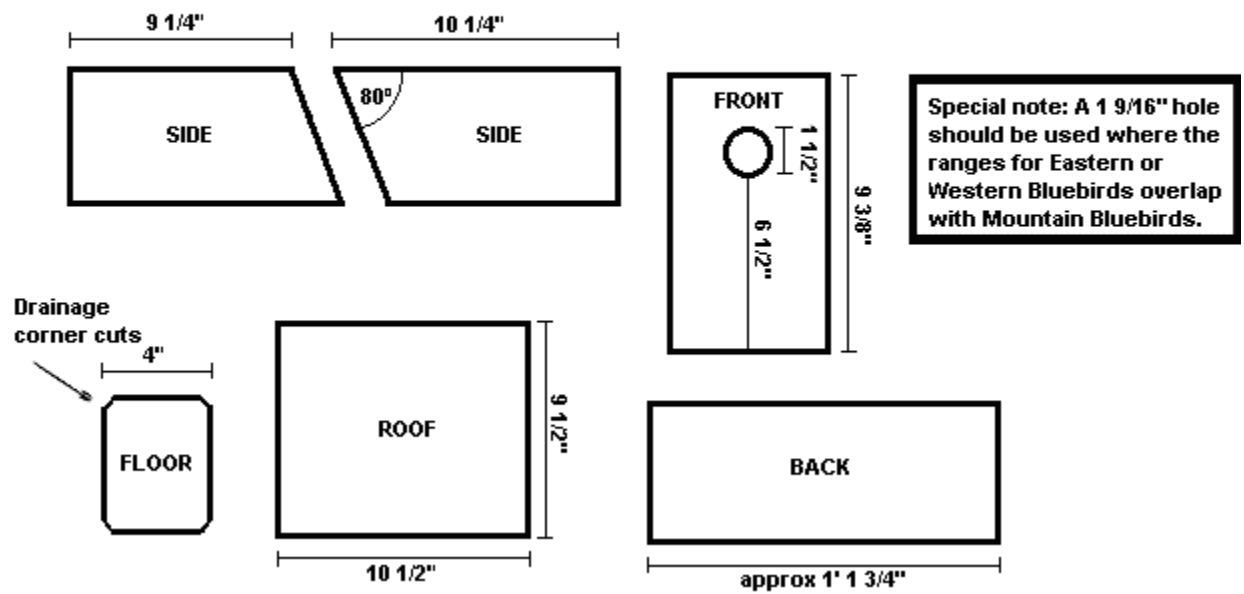
Supply List

- Standard board 1" x 6" x 4' long
- Standard Board 1" x 10" x 10 1/2" long (for roof)
- 1-3/4" galvanized nails or screws -- approx. 20
- 1-3/4" galvanized screw or nail for pivot point -- 2
- Double-headed nail for holding door closed -- 1

BOARD DIAGRAM



CONSTRUCTION PLAN



Drill hole through "front" and side of door to hold door closed with nail